

LR-3000™

UHF Long-Range Reader

AWID's LR-3000™ Long-Range Reader is an Ultra-High-Frequency (UHF) tag and card reader used in RFID applications like gate access for vehicles and physical access for people. Its electronics and antenna are integrated in a single compact enclosure. The LR-3000 is optimally designed for Automatic Vehicle Identification (AVI) and Access Control applications such as gate control in a parking facility. It also provides identification and access for people at doorways, wheelchairs at elevators, and gurneys in hospital entrances. The LR-3000 Reader assures security by use of AWID's proprietary encryption for communications between the reader and its UHF vehicle tags and hand-held cards. The LR-3000 reader has two LEDs – steady red to indicate DC power, and blinking green when a tag is presented. The LR-3000 reader is suitable for outdoor applications; it may be installed with exposure to the environment.



The LR-3000 offers *price:performance* advantage over conventional long-range proximity card and active-tag RF systems. The LR-3000 can be combined with AWID's uAccess door access readers, allowing the same hand-held card to be used for both vehicle parking access at the gate, and door access for people in the building.

The LR-3000 operates in the license-free 902-928 MHz UHF band. It combines effective UHF technology with economical passive tags and cards, field-programmable read repeat rate and RF field strength, and simultaneous Wiegand and RS-232 data outputs. It can be interfaced with all standard access control and AVI systems. The LR-3000 offers an impressive combination of single-unit construction, small size, and attractive appearance. Tag reading distance is commonly up to 25 feet and sometimes more depending on reader mounting, credential type and environment.

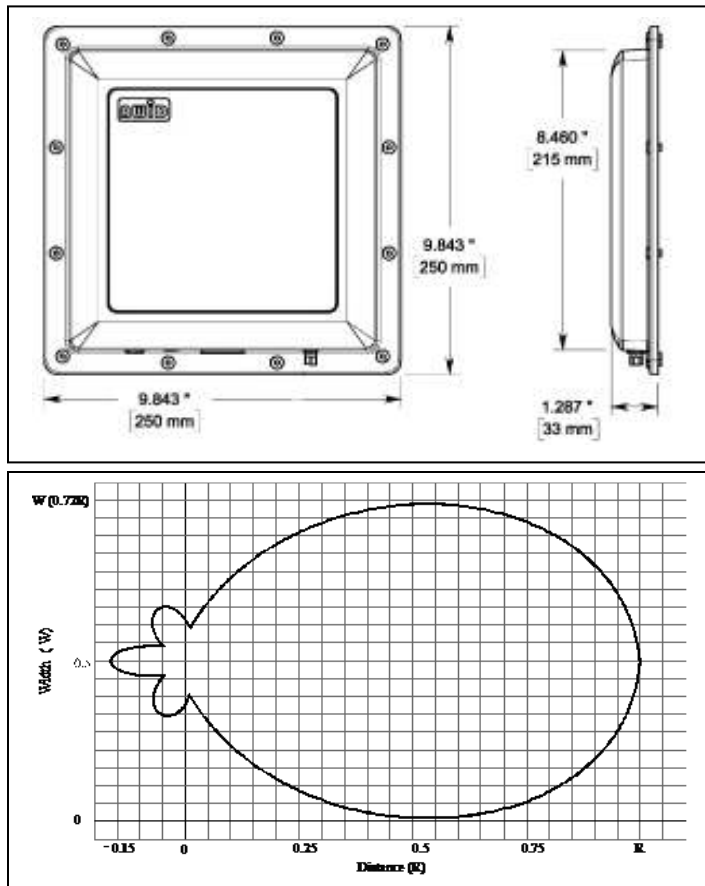


FEATURES

- **Longer reading distance ...**
Up to 25 feet between reader and tag
- **Small, attractive reader ...**
Single unit with antenna, 9.8"x9.8"x1.3"
- **Easy reader installation ...**
No reader programming, simple wiring
- **Wide selection of credentials ...**
Varied vehicle tags and hand-held cards
- **Unlimited tag or card life ...**
Passive, battery-free credentials
- **Data output to fit the system ...**
Selectable read repeat rate
- **No interference between readers, and no cross-reading between lanes ...**
Programmable RF field strength
- **RF transmission only as needed ...**
Optional buried loop arms the RF circuit
- **LED status indicators ...**
Red for power, green for tag reading
- **LR-3000 mixes with other readers ...**
Same code format as proximity readers
- **Easy interfacing to control systems ...**
Both Wiegand and RS-232 data output
- **Complies with certifications ...**
FCC Part 15; IC; RoHS
- **Ideal upgrade from old systems ...**
Hands-free car ID; cards for people ID
- **Eliminates stop-and-wait entry ...**
Cars may continue moving past reader
- **No need to add protective housing ...**
Protection class IP65 for outdoor sites
- **Easy to buy and own ...**
Installer needs no FCC registration

LR-3000™

UHF Long-Range Reader



ACCESSORIES AND SUPPLIES

- LR-reader test/demo kit -- A **requirement** for all installers. An effective way to demonstrate the LR-3000, to prove its operation, to measure its performance, to locate tags, and to aim the reader. A one-time purchase for installers.
- Power supply -- Each LR-3000 requires a separate, independent, dedicated power supply. Ask AWID for specifications. AWID offers PS-123.3A-0-0 plug-in DC module.
- Cable for power and data -- Correct cable assures good reader performance. Ask AWID for specifications.
- Mounting devices -- Ask your supplier about poles, posts, pedestals, clamps, arms, etc.
- System components -- Ask your supplier about the access control package, gates, vehicle sensors, bollards, traffic barriers, and other components.

CREDENTIAL OPTIONS

- Vehicle-mounting tags -- For permanent or movable applications, inside or outside vehicles. Types are tags for Windshield (**WS-UHF**), Rearview Mirror (**RV**), Sunvisor (**VT**), Sideview Mirror (**SV**) and Metal-Mount (**MT-UHF**); also Portable tag (**PT**), Hangtag (**HT**), and Supertag (**ST**).
- Hand-held cards -- For presenting to reader. *Cards:* Clamshell (**CS-UHF**) and Graphics (**GR-UHF**). *Tags:* Keytag (**KT-UHF**) and Hangtag (**HT**). Use these cards and tags with **uAccess** readers.

Ask AWID about tag selection and mounting methods.

OPERATING CHARACTERISTICS

Reading Distance:

Tags and cards, up to 25 feet (7.6 meters)

Frequency Band:

902 to 928 MHz; Frequency Hopping technology

Antenna Output:

Circular-polarized RF field

Indicators:

2 LEDs -- Red for power; Green for tag reading

Power Supply: *Separate for each long-range reader*

7 to 15 volts DC, linear rated, regulated output
At 12 VDC, rated for 2 amperes or more
Separate, independent, dedicated to each reader

Communications Protocols:

Wiegand and RS-232, simultaneous outputs

Code Formats:

Determined by AWID's tags & cards; 26 to 50 bits

Cables: *All cables MUST be overall-shielded*

Power -- 2 conductors, 18 gauge, shielded
Data -- 3 conductors, 22 gauge, shielded
Stranded, color-coded, not twisted pairs
Up to 500 feet for Wiegand; 75 feet for RS-232

Field-Programmable Features:

Read repeat rate; RF power level

PHYSICAL CHARACTERISTICS

Dimensions:

9.8 x 9.8 x 1.3 inches (25 x 25 x 3.3 cm)

Weight:

38.4 oz (1.09 kg)

Material (Color):

ABS enclosure (white); aluminum back-plate

Cable (Integrated with Reader):

10 conductors, 32 inches (81 cm) long
Overall shielded, plastic jacket

Mounting (Supplied by Installer):

Pan-and-tilt adjustable aiming, min. 6 inches long

ENVIRONMENT

Operating Temperature:

-35°C to +65°C (-31°F to +150°F)

Operating Humidity:

0% to 95% non-condensing

Protection Class:

IP65 Weatherproof

Avoiding Interference:

Optimize reader performance by avoiding sources of RF – fluorescent and other arc lighting, UHF transmitters, other UHF readers.

CERTIFICATION

FCC Part 15; IC; RoHS; ETL