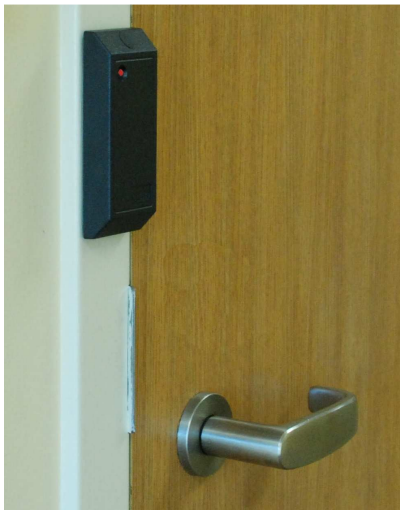


## Maximum RFID

# SR-2400™ Sentinel-Prox™ Proximity Reader

AWID's SR-2400 Proximity Card Reader is the value-leader for Access Control applications. With a range up to 5.5 inches, the SR-2400 reader delivers excellent performance without compromising quality, durability, attractive appearance, and ease of installation.

**Installation** The SR-2400 reader is designed to fit perfectly on the 1-3/4 inch standard metal door frame or window mullion. The metal-compensation that is built into every SR-2400 reader assures minimal loss of read range when the reader is mounted on a metal surface. The SR-2400 reader also can be fastened by 2 screws on any wall or other surface. Installation may be indoors or outdoors, exposed to weather.



**Features** The SR-2400 reader contains a 3-color LED and a 4 kilohertz beeper. Both LED and beeper are controlled by the reader itself, and also can be controlled externally by the host system. The LED can indicate access-granted by the host. The beeper can be used as an alarm that prevents further card reads until the alarm condition is cleared.

**Testing** The reader is *self-testing* – using its own LED and beeper, it needs no interface to a controller to assure the installer and cardholder of correct performance. The reader is also *self-diagnostic* – if DC power is unstable, or if electrical noise is induced in the cable, the reader resets and its LED changes to amber.

**Operation** AWID's proximity readers use a re-present mode that requires that the user remove the card from the reader's field before the card can be read again. This feature eliminates multiple reads from a single presentation of the card. The SR-2400 has both Wiegand data interface for basic 4-wire connection (6 wires when all features are controlled), and also RS-232 serial interface. Code transmission from both interfaces is simultaneous.

**Environment** The SR-2400 reader is ready for challenging applications. The ABS plastic one-part enclosure, fully potted at the back surface with epoxy resin, stands up to physical abuse and adverse environment.

**Credentials** All of AWID's 125 kilohertz proximity credentials may be used with the SR-2400 reader. This includes clamshell and graphics-quality cards, keytags, hangtags and adhesive wafers. Read range varies with the credential type.



## FEATURES

### Compact size ...

*Fits on a mullion or door frame*

### Clean, slim design...

*Matches good architecture at site*

### Ready for rough usage...

*Rugged, strong construction*

### Ready for adverse weather...

*One-part enclosure with potting*

### Easy mounting...

*2 screws (supplied) for fastening*

### Special read range in a small unit...

*Up to 5.5 inches with cards*

### Visual and audible indicators...

*3-color LED and beeper inside reader*

### Controllable functions in reader...

*LED and beeper can be wired to panel*

### Easy power...

*Connects to panel's DC terminals*

### Quick wiring to host panel...

*Basic 4-wire hook-up; 6 wires maximum*

### Standard Wiegand data output...

*Data-0 & Data-1 panel connection*

### Compatible with other readers...

*Same interface used in other readers*

### Uniform code format...

*Standard 26-bit plus special codes*

### No programming in reader...

*SR-2400 is ready to read all AWID codes*

### Self-testing for good operation...

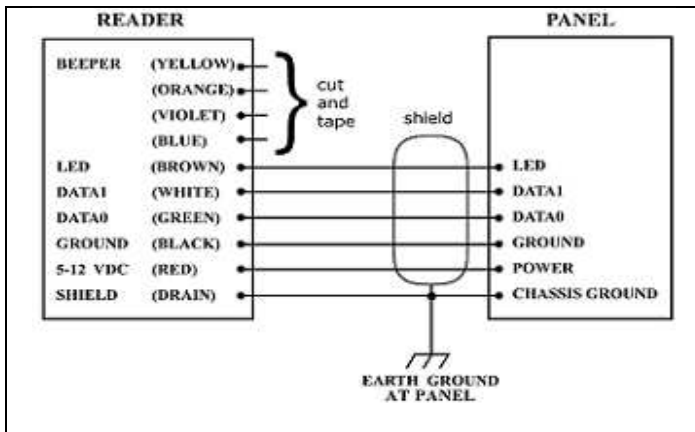
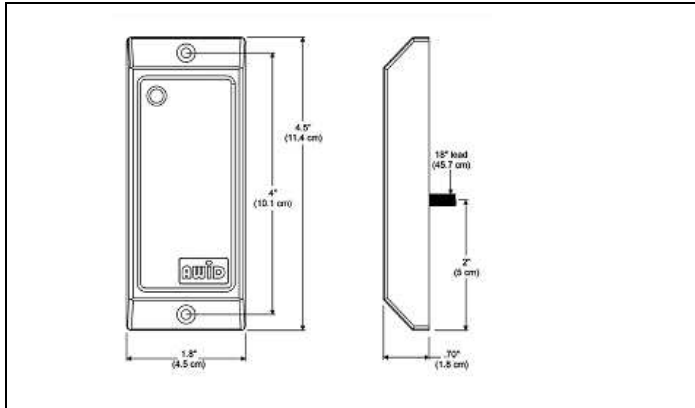
*LED & beeper indicate performance*

### High value ratio...

*Excellent performance; modest cost*

# SR-2400™

## Sentinel-Prox™ Proximity Reader



### ACCESSORIES AND SUPPLIES

**Mounting hardware** – 2 #6-32 x 1" thread-cutting screws (supplied). Use other fasteners as needed for mounting.

**Power supply** – Reader operates with voltage between +5 volts and +12 volts DC. Most controller panels provide suitable voltage on power and ground terminals. External linear, regulated DC power supply may be used (100 mA or more current rating).

**Cable for power and data** – 22 gauge, stranded, color-coded, overall shielded, not twisted pair. 4 to 6 conductors depending on connection of reader's controllable functions (LED and beeper). For Wiegand, up to 500 feet.

**Protective housing** – SR-2400 is suitable for exposure to rain, snow and bright sunshine. Mount reader inside a Lexan housing to remove reader from view and abuse. AWID suggests Model PCH049 housing from The Housing Company.

### CREDENTIALS

**Proximity cards, keytags, hangtags and wafers** – AWID offers a selection of cards, tags and wafers for use with the SR-2400 readers.

### OPERATING CHARACTERISTICS

#### Reading Distance:

With cards – up to 5.5 inches (14 cm)  
(varies with credential type, voltage applied to reader, and local conditions)

#### Excitation Frequency:

Transmit and Receive - 125 kHz

#### Antenna Output:

Omni-directional low-frequency RF field

#### Indicators (Control by Reader and Panel):

LED – 3 colors, red-amber-green  
Beeper – piezo-electric, 4 kHz tone

#### Power Supply:

+5 volts to +12 volts DC  $\pm$  10%, linear, regulated;  
current rating: 100 mA or more

#### Communication Protocols:

Wiegand electrical protocol

#### Code Formats:

Determined by AWID's credentials programmed with 26 bits to 50 bits

#### Cable (for Wiegand Interface):

4 to 6 conductors (not twisted pairs), stranded, 22 gauge, color-coded, overall 100% shielded, plastic jacket, up to 500 feet

### PHYSICAL CHARACTERISTICS

#### Dimensions:

4.5 x 1.8 x 0.7 inch (11.4 x 4.5 x 1.8 cm)

#### Weight:

4 ounces (113 g)

#### Material:

ABS 1-part enclosure, dark gray color  
Epoxy resin potting at rear surface

#### Cable (Integrated with Reader):

10 conductors, 22 gauge, 18 inches long.  
Overall shielded, plastic jacket

#### Mounting:

Door frame, window mullion, wall, cabinet

### ENVIRONMENT

#### Operating Temperature:

-31°F to 150°F (-35°C to 65°C)

#### Operating Humidity:

0% to 95% non-condensing

#### Protection from Environment:

Use Lexan housing when reader must be away from view or damage.

#### Avoiding Interference:

Optimize reader performance by spacing or shielding reader from neighboring readers, including reader on other side of wall at door.

### CERTIFICATION

ISO-9001:2000; FCC Part 15; IC; UL listed