

# ARIES™

## LED-ARIES



## DUAL-SIDED ALWAYS-ON LED SIGNALING

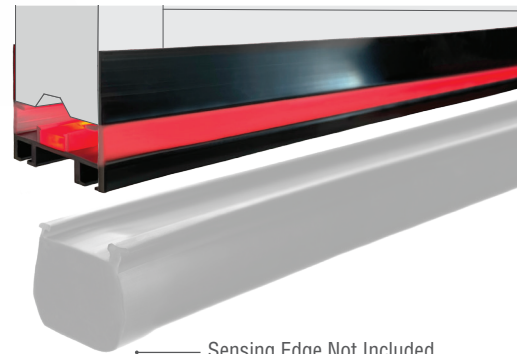
The Aries™ visual alert system enhances the visibility of commercial motorized sectional doors by integrating dual-sided, always-on LED lighting directly into the leading-edge channel. Designed for 1-3/4-in. to 2-in. thick sectional doors, Aries is compatible with Miller Edge ME123 or CPT215 sensing edges and the LS-0107 weather seal (sold separately).

A rigid PVC channel with a co-extruded, UV-resistant diffusion window blends individual LEDs into a smooth, continuous bar of light visible from both sides of the door opening. When paired with a sensing edge, Aries combines visual door-status indication with touch-sensitive obstruction detection in a streamlined retrofit.

The result is improved awareness of door movement with consistent edge response or weather-seal functionality—well suited for high-traffic commercial environments.



Door LED Controller



### APPLICATIONS

- Standard and high-performance 1-3/4-in. to 2-in. commercial motorized sectional doors

*Note: Not recommended for high-speed doors*

### FEATURES

- **Dual-Sided Always-On LEDs:** Provides visibility on both the interior and exterior of the door opening
- **Diffused Light Window:** Transforms individual LEDs into a solid, uniform bar of light
- **Integrated Leading-Edge Channel:** Accepts ME123 or CPT215 sensing edges, or LS-0107 weather seal (sold separately)
- **UV-Resistant PVC Channel:** Ensures smooth, consistent light output
- **Door Compatibility:** Fits 1-3/4-in. to 2-in. thick sectional doors
- **Retrofit-Ready Design:** Ideal for high-traffic commercial environments
- 2-year warranty

With  **VISILIGHT LED™**  
Motion Made Visible



# ARIES™

## LED-ARIES

### GENERAL SPECIFICATIONS

#### LED STRIP

LEDs	18 bi-color LED lights per foot	
Brightness	● Red: 532 lm/m	● Green: 2,392 lm/m
Signaling	Door Open: ● Green	Door Closed: ● Red
	Door Opening: 🌟 Red, flashing	Door Closing: 🌟 Red, flashing
Lifespan	44,000 hours	

#### PERFORMANCE

Illumination Mode	Continuous (always on)
Activation	Operator-signal activated
Operating Temperature	-30° to +140°F (-34° to 60°C)

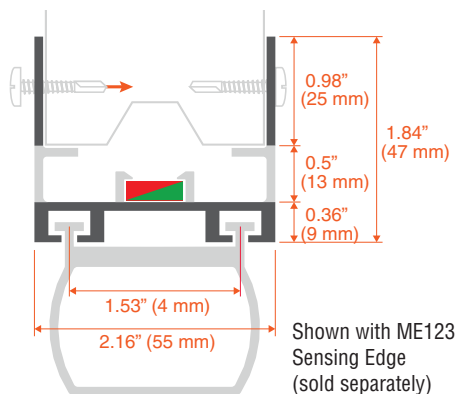
#### ELECTRICAL

Power Source	115-230V power supply, 24V LED via wall outlet
--------------	--

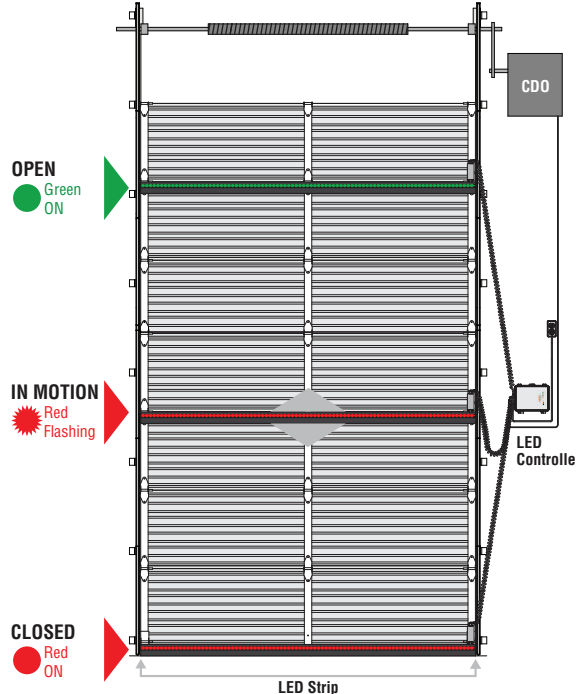
#### PHYSICAL

Mounting/Visibility	Interior mounting; visible from both interior and exterior	
Dimensions	Controller box: 7 W x 9.5 H x 4 D-in. (178 x 241 x 102 mm)	LED strip length by model: - LED-ARIES-ME123C-K8: 7-ft. 6-in. (2.3 m) - LED-ARIES-ME123C-K10: 10-ft. 2-in. (3.1 m) - LED-ARIES-ME123C-K12: 11-ft. 9-in. (3.6 m) - LED-ARIES-ME123C-K14: 14-ft. 1-in. (4.3 m)
Cable Lengths	LED strip cable: 1-ft. (0.3 m) LED strip extension cable: 4-ft. (2.4 m)	CDO signal cable: 20-ft. (6.1 m) Power supply cable: 3-ft. (0.9 m)
Weight (door mounted components)	Mounting channel: 4.4 oz./ft. LED strip: 0.9 oz./ft.	Raceway: 1.9 oz. Junction box and components: 7.3 oz. Coil cord: 15.25 oz.
Material	LED Strip: UV protected silicone sheath	Mounting Channel: High density rigid PVC
LED Indicators (LED Controller)	Green: Door is open Red: Door is closed	White (pulsing): Door is in motion
Mounting	Mounted to the leading edge of a 1.75-in. to 2-in. sectional door with the appropriate fasteners	
Degree of Protection	LED strip component: IP68	LED Controller enclosure: NEMA 4

### MOUNTING + DIMENSIONS



### INSTALLATION + LED SIGNALING



### MODEL OPTIONS

#### By Section Width\*

- 8' 0" to 10' 2": LED-ARIES-ME123C-K8
- 10' 3" to 12' 2": LED-ARIES-ME123C-K10
- 12' 3" to 14' 2": LED-ARIES-ME123C-K12
- 14' 3" to 20' 2": LED-ARIES-ME123C-K14

\* 1-3/4" to 2" Sectional Doors

### COMPATIBILITY

#### Use with:

- **Sensing edges:**
  - ME123 Sensing edge
  - CPT215 Sensing edge
- **Weather seal:**
  - LS-0107 Loop seal

Contact Miller Edge to ensure compatibility.

© Miller Edge, Inc. All rights reserved  
LED-ARIES\_Spec\_20260409