

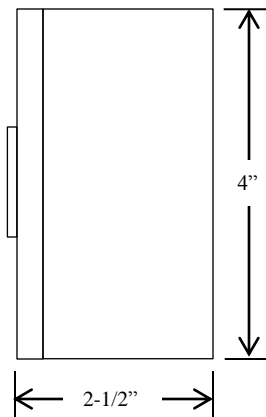
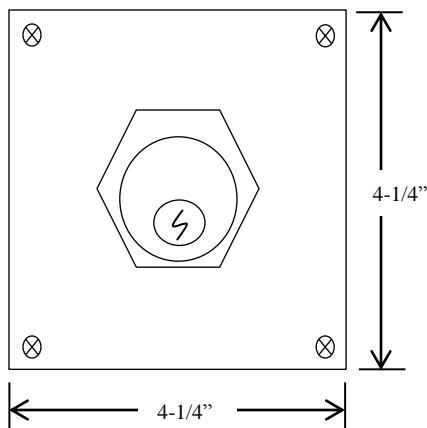
1K4X

KEYED CONTROL



- NEMA 4X
- SURFACE MOUNT
- NON-TAMPER-PROOF ROSITE ENCLOSURE
- TWO POSITION (OPEN-CLOSE)
- CENTER RETURN
- CYLINDER: MORTISE TYPE (5 PIN)
- KEYSWITCH: 15 amp @ 125/250VAC

DIMENSIONS



WIRING

