

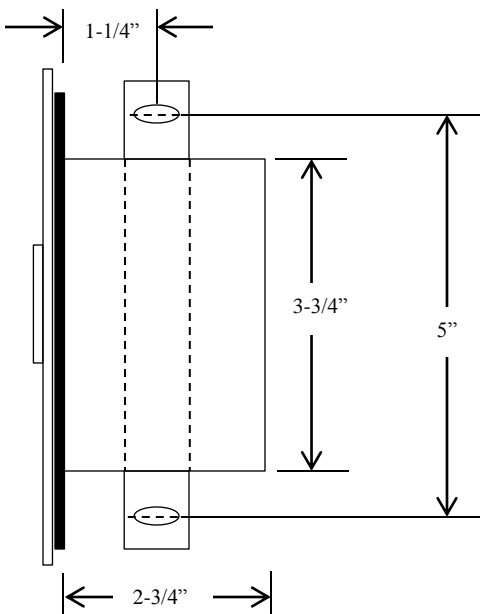
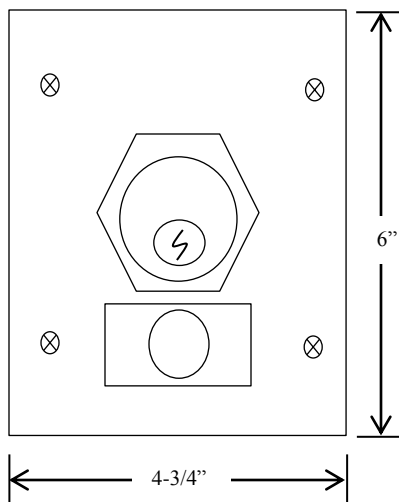
1KFSX

KEYED CONTROL

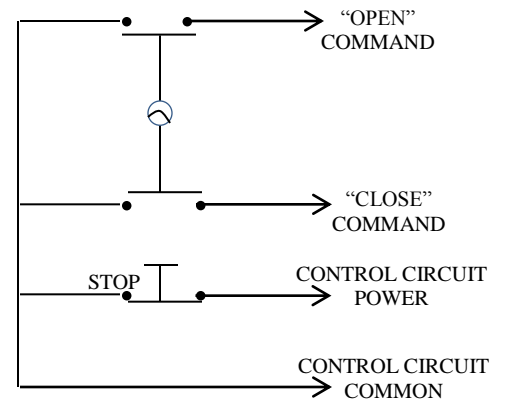
- EXTERIOR FLUSH MOUNT
- TAMPER-PROOF
- TWO POSITION (OPEN-CLOSE) WITH STOP BUTTON
- CENTER RETURN
- BRUSHED ALUMINUM FACEPLATE
- CYLINDER: MORTISE TYPE (5 PIN)
1-1/8" DIAMETER X 1" LENGTH
- KEYSWITCH: 15 amp @ 125/250VAC

AVAILABLE WITH BEST CORE CYLINDER OR EQUIVALENT, SLF TYPE LARGE FORMAT EQUIVALENT, CC (CHANGEABLE CYLINDER) VERSION

DIMENSIONS



WIRING



Part of the DF Supply, Inc. family
www.gateopenersafety.com

(888) 378-1043

sales@GateOpenerSafety.com