

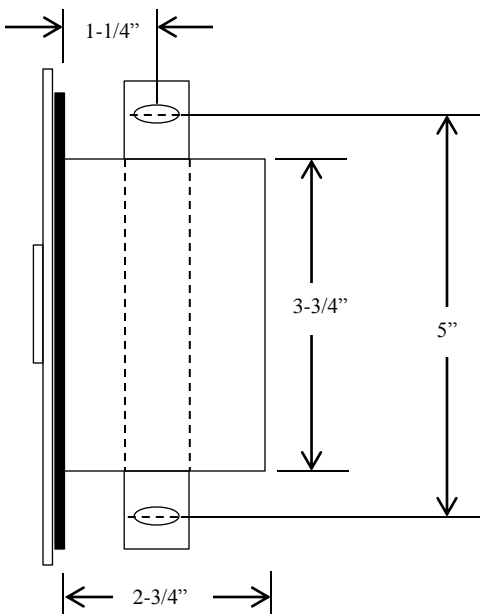
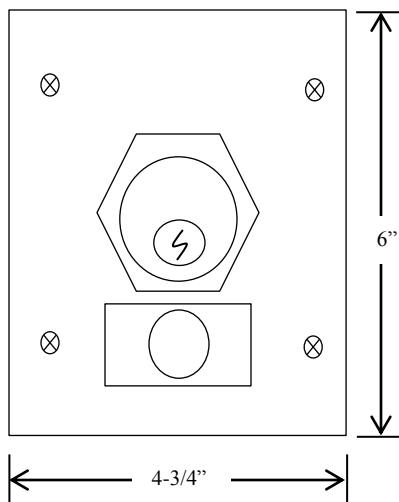
# 1KFSX

## KEYED CONTROL

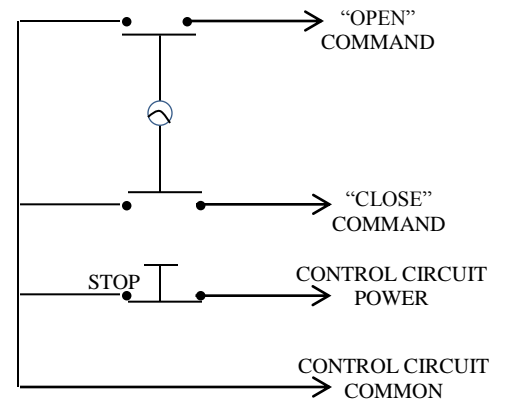
- EXTERIOR FLUSH MOUNT
- TAMPER-PROOF
- TWO POSITION (OPEN-CLOSE) WITH STOP BUTTON
- CENTER RETURN
- BRUSHED ALUMINUM FACEPLATE
- CYLINDER: MORTISE TYPE (5 PIN)  
1-1/8" DIAMETER X 1" LENGTH
- KEYSWITCH: 15 amp @ 125/250VAC

AVAILABLE WITH BEST CORE CYLINDER OR EQUIVALENT, SLF TYPE LARGE FORMAT EQUIVALENT, CC (CHANGEABLE CYLINDER) VERSION

## DIMENSIONS



## WIRING



Part of the DF Supply, Inc. family  
[www.gateopenersafety.com](http://www.gateopenersafety.com)

(888) 378-1043

[sales@GateOpenerSafety.com](mailto:sales@GateOpenerSafety.com)