

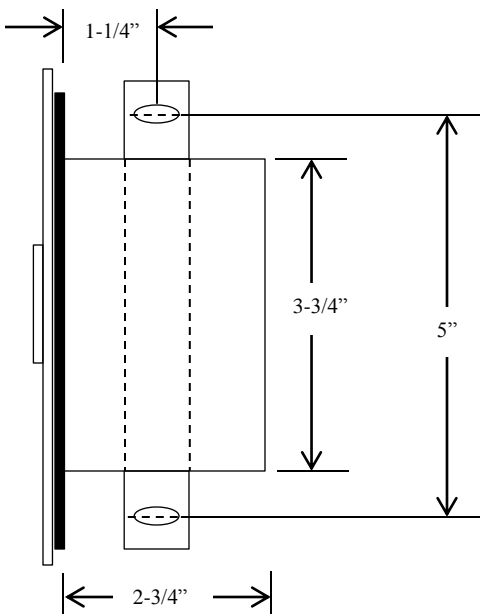
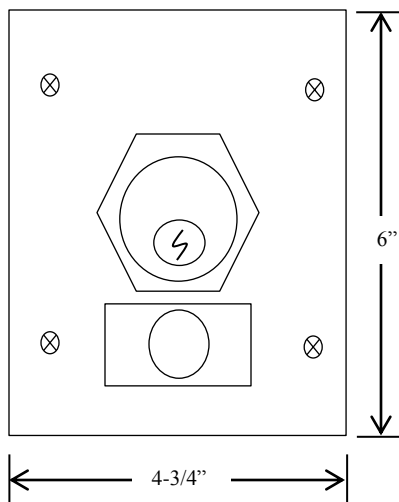
1KFSX

KEYED CONTROL

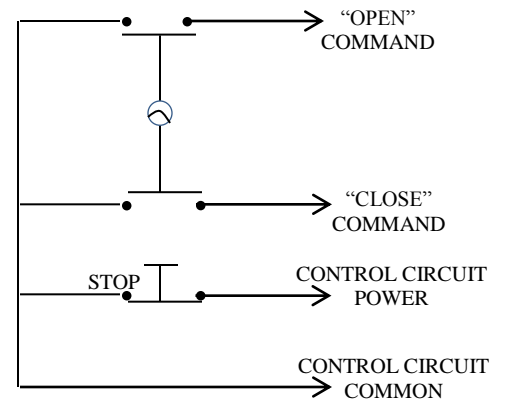
- EXTERIOR FLUSH MOUNT
- TAMPER-PROOF
- TWO POSITION (OPEN-CLOSE) WITH STOP BUTTON
- CENTER RETURN
- BRUSHED ALUMINUM FACEPLATE
- CYLINDER: MORTISE TYPE (5 PIN)
1-1/8" DIAMETER X 1" LENGTH
- KEYSWITCH: 15 amp @ 125/250VAC

AVAILABLE WITH BEST CORE CYLINDER OR EQUIVALENT, SLF TYPE LARGE FORMAT EQUIVALENT, CC (CHANGEABLE CYLINDER) VERSION

DIMENSIONS



WIRING



230 Route 206, Suite 206
Flanders, NJ 07836
(800) 942-6682 * (973) 584-6682 Fax
info@mpmcinc.com