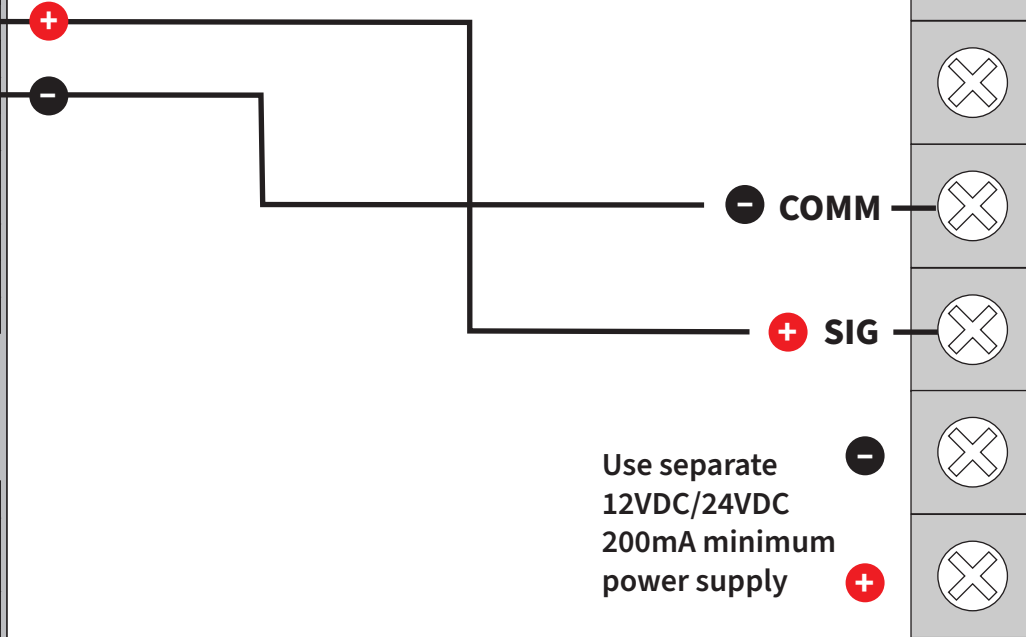
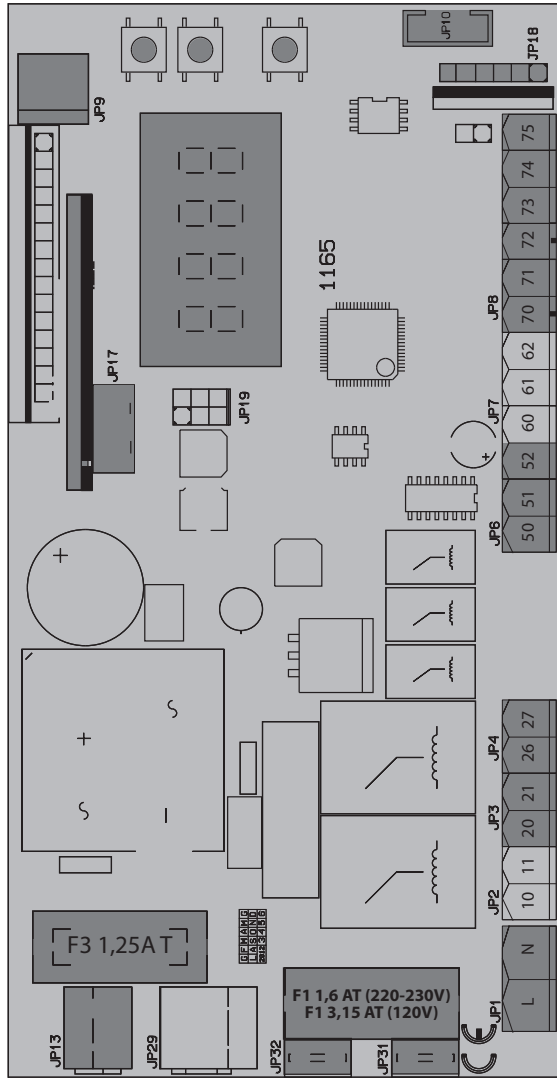


BFTAres Ultra 1000-1500

Reverse or Obstruction Loop Slide Gate

OVS-01GT wiring



Use separate
12VDC/24VDC
200mA minimum
power supply

Input
Output
Power