

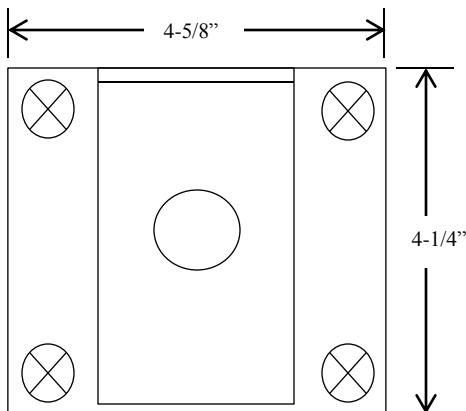
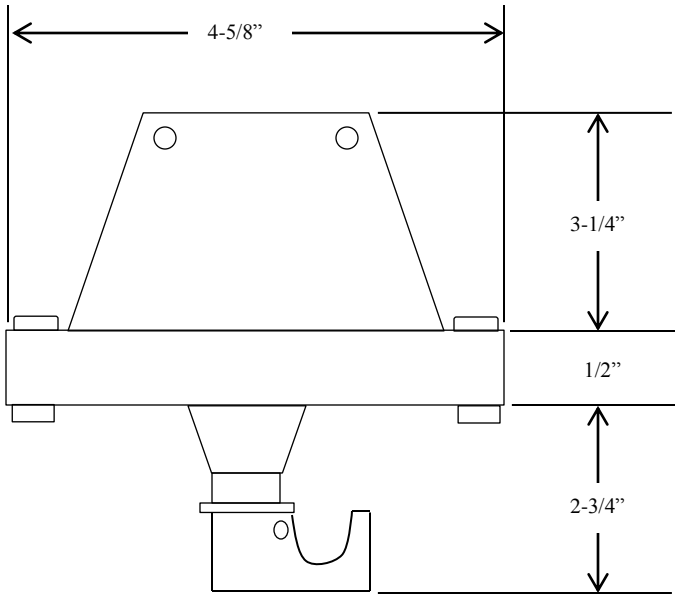


CP-2SW

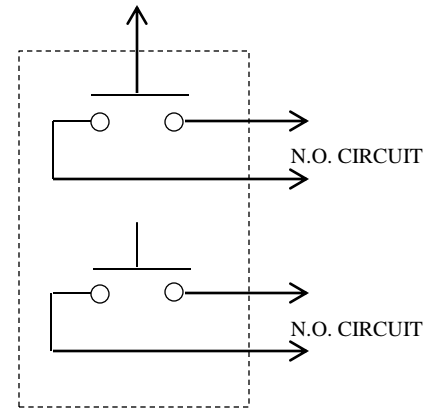
CEILING PULL SWITCH

- NEMA 3R, 4, 12
- EXTERIOR SURFACE MOUNT IN FIBERGLASS ENCLOSURE
- WITH ROTATING AND PIVOTING CAM TO ACCOMMODATE ANGLE OF PULL
- DOUBLE POLE – SINGLE THROW (DPST)
- 6 amp @ 120VAC

DIMENSIONS



WIRING



230 Route 206, Suite 206
Flanders, NJ 07836
(800) 942-6682 * (973) 584-6682 Fax
info@mmtcinc.com