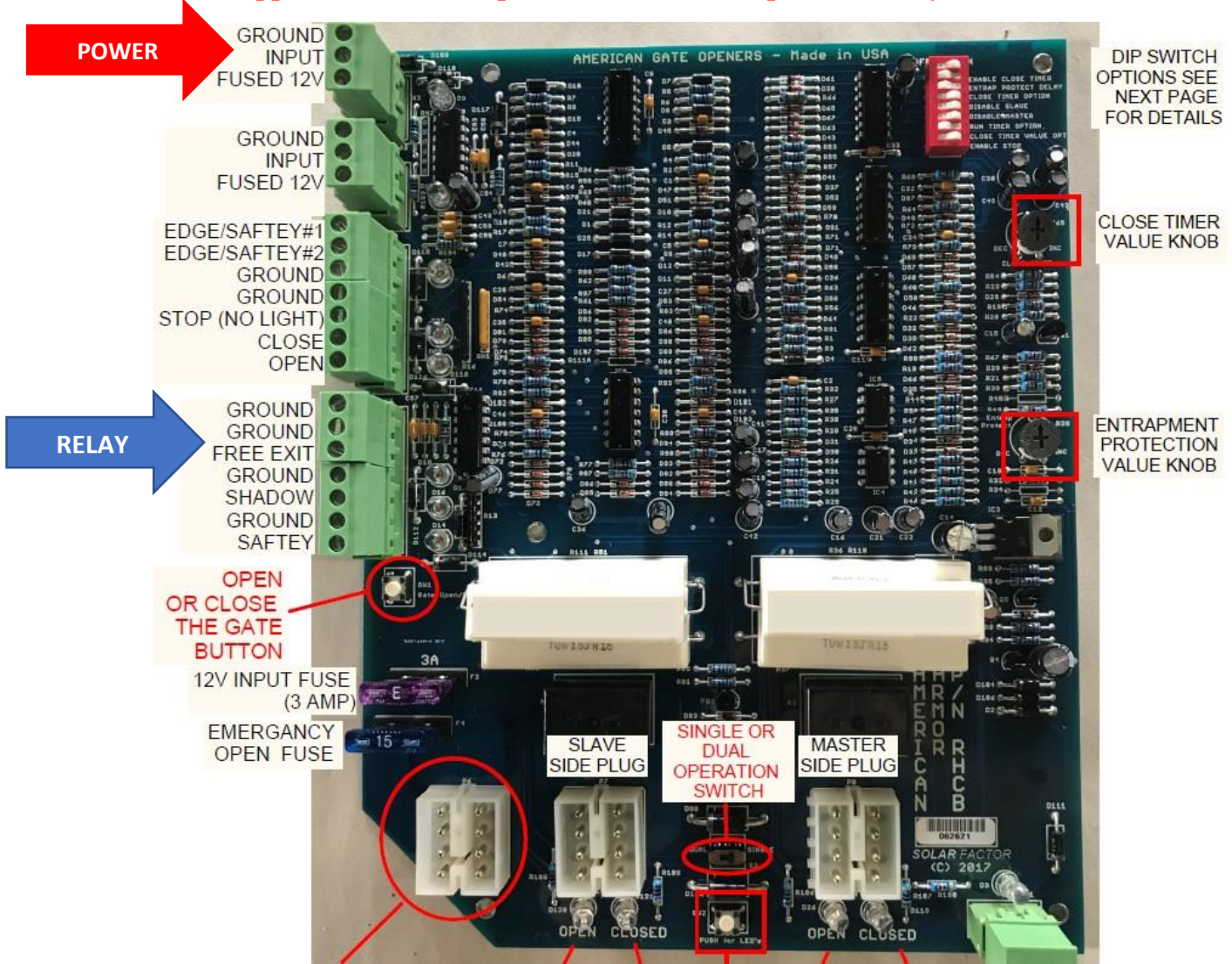


CW-SYS to American Armor (AAP Board)

(Solar application must compensate for 25 Milliamp mA stand-by current draw)



CW-INT

Terminal 1 to 12V

Terminal 2 to Ground (GND)

Terminal 4 Relay Common to GND

Terminal 5 Relay Open to Free Exit