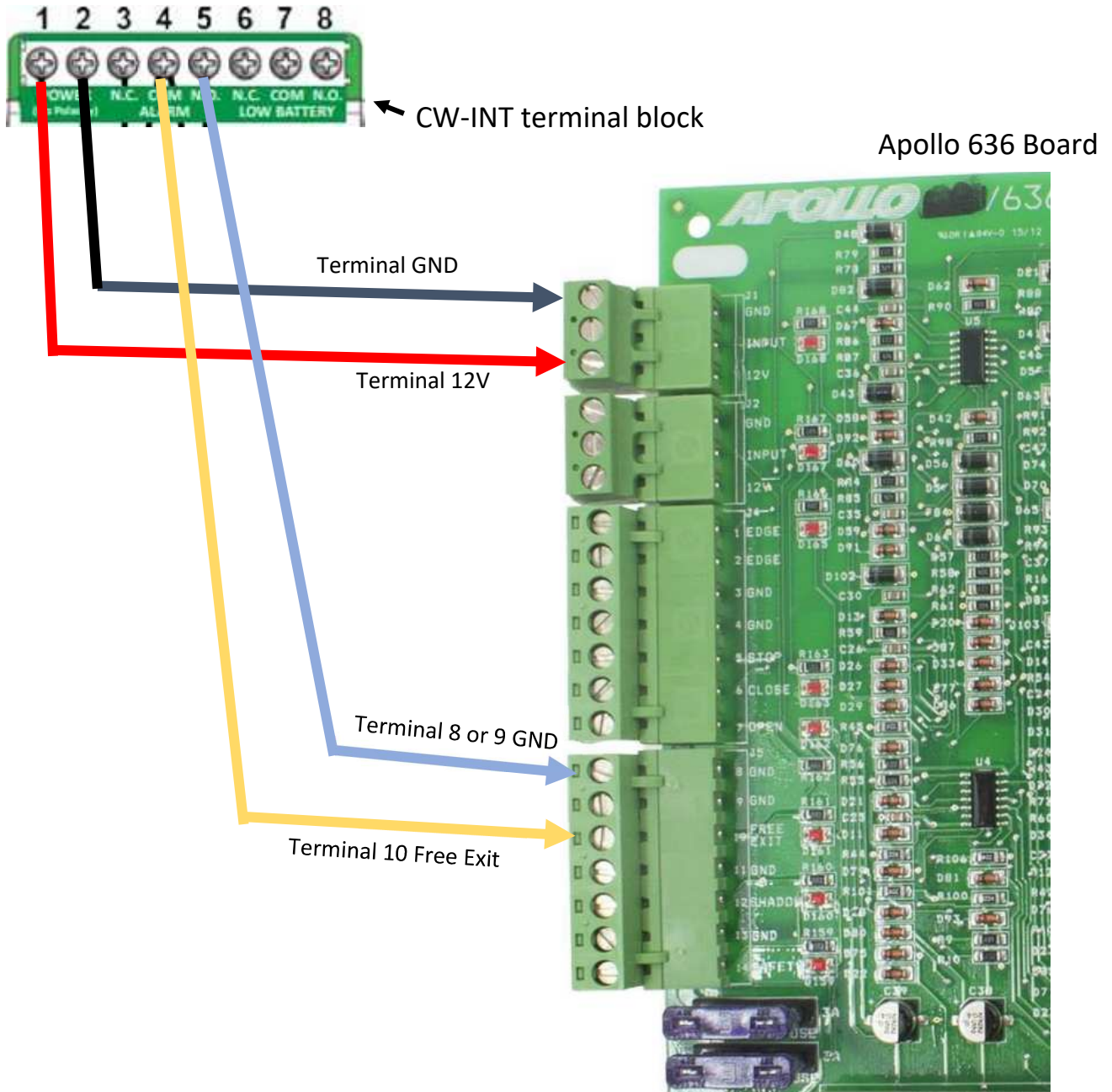


# How to connect a Cartell CW-SYS to an Apollo 636 Board

Connect the Cartell Integrator (CW-INT) which is part of the CW-SYS, as outlined below:



**Note:** You can also get power from block J2 if J1 is full.