

CT-2B Wiring Diagram

The CW-SYS unit can be used to replace the CT-6 probe on a CT-2B system. Follow the instructions below to complete the installation.

Connect the wires to the following terminals:

CT Board

Terminal 3 (VDC OUT)
Terminal 8 (GRD)
Terminal 10
Terminal 12

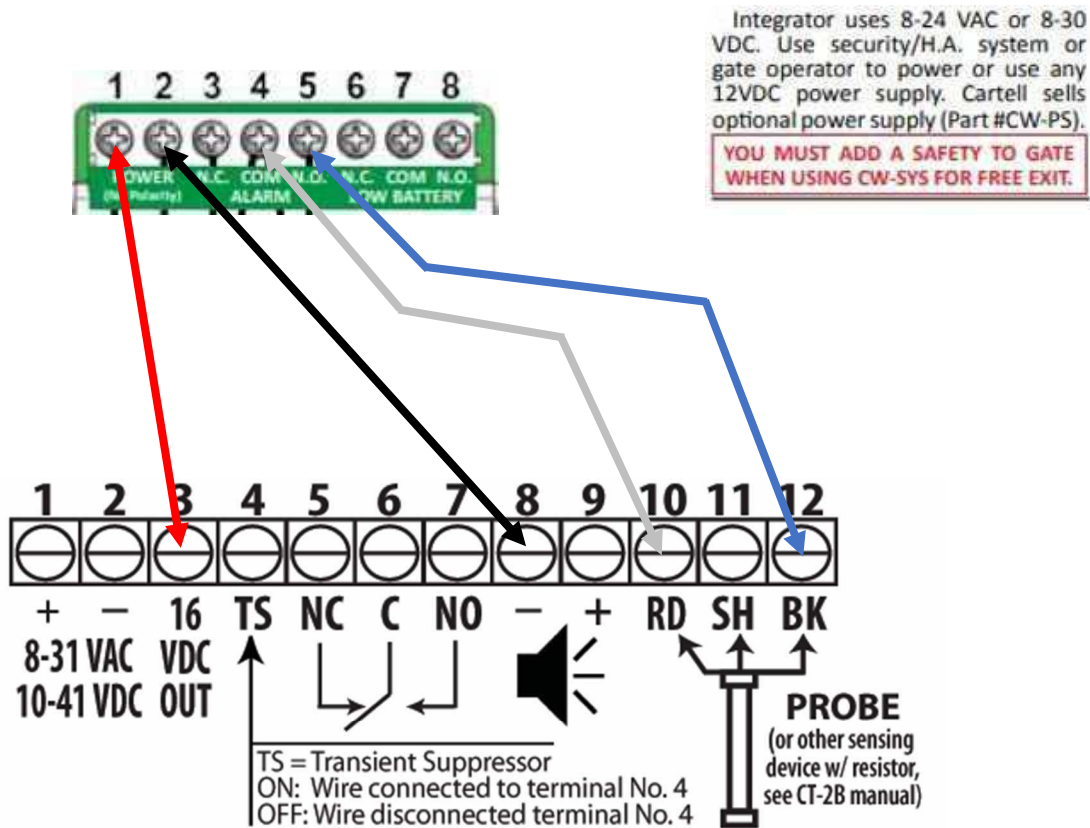
to
to
to
to

Integrator

Terminal 1 (Power Input)
Terminal 2 (Power Input)
Terminal 4 (COM)
Terminal 5 (NO)

You may also choose to power the Integrator with a separate power supply within range: **8-24 VAC or 8-28 VDC**.

CW-SYS = Dual Purpose Wireless System
CW-SEN = Wireless Sensor only
CW-INT = Wireless Integrator only
CW-REP = Wireless Repeater
CW-PSU = Power Supply



FIELD ADJUSTMENTS

A "A" = RELAY TIME: ½ - 15 sec. (CW to increase)
"B" = PROBE SENSITIVITY (CW to increase)

B