



GATE EDGE MODULE



Models GEM-102 GEM-103 GEM-104

GEM-102: 2-wire pulsed / GEM-103: 4-wire pulsed / GEM-104: 4-wire N/C

WARNING – To reduce the risk of severe injury or death:

1. Read and follow all installation instructions.
2. Disconnect all power before beginning any work.
3. Do not reconnect the operator to source of power until instructed to do so.
4. Test the system when installation is completed.
5. Follow all local and national electrical codes.

Parts List:

- Gate Edge Module (GEM)
- Wire Nuts (4 or 6)
- Instruction Manual (1)

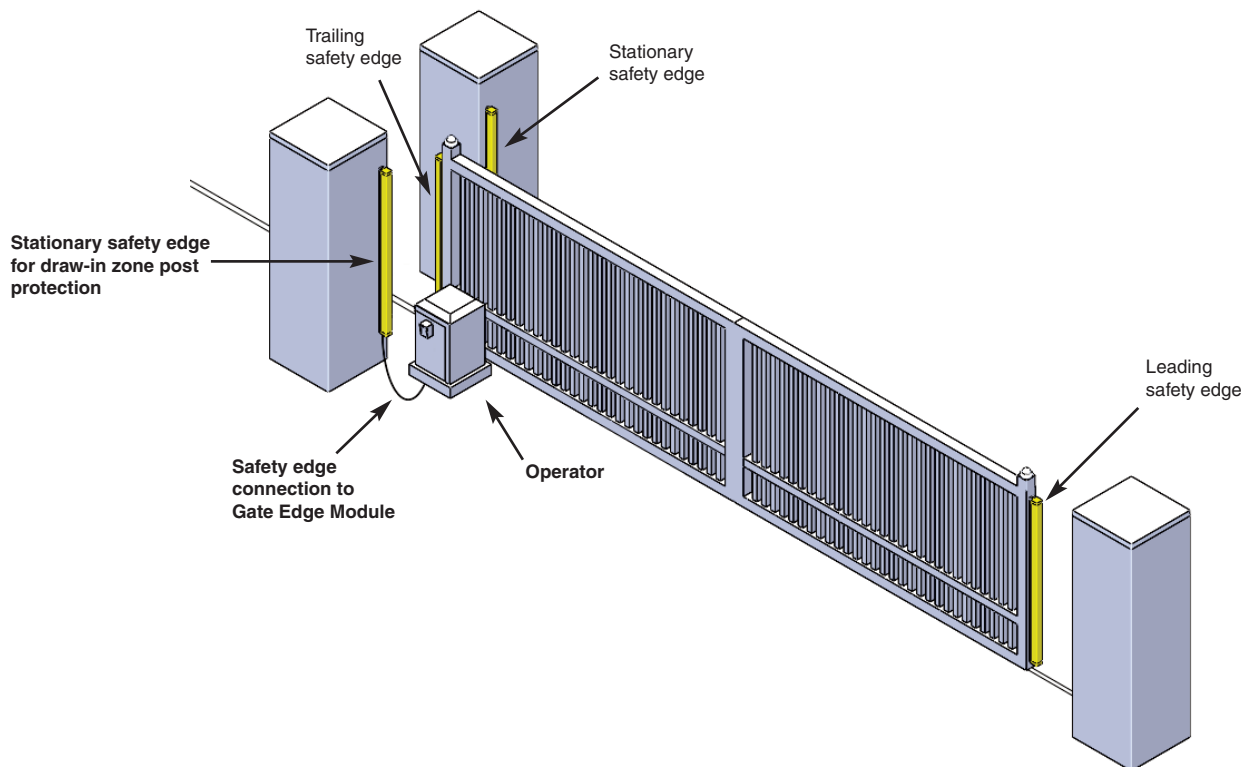
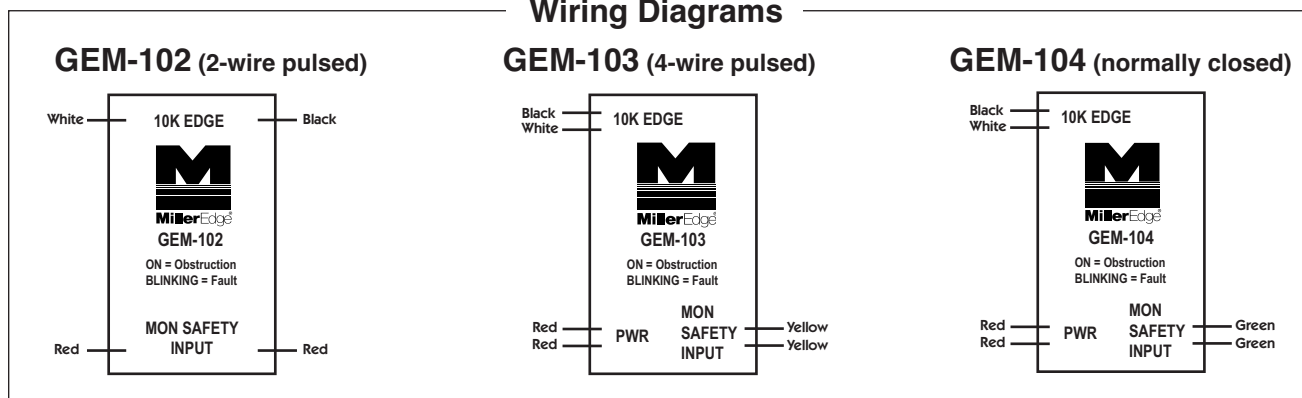
Additional Items required:

- Miller Edge T2 Safety Edge (10K ohm resistor embedded inside edge)
- by others; electrical wiring, j-boxes*, conduit, etc., as required by code

*j-boxes available from Miller Edge. Contact Factory.

See Step - By - Step Installation Guide on Reverse Side

Wiring Diagrams



Step-By-Step Installation Guide

1. Turn off power to the operator.
2. Mount the Safety Edge as per the edge installation instructions.
3. Place the Gate Edge Module inside the UL listed operator.
4. Use the charts below to make the wiring connections relevant to your GEM model. See diagrams on front page.

GEM-102	
Connection	Wire Color
To: 10K Safety Edge	Black / White
To: Monitored Safety Input	Red / Red

GEM-103	
Connection	Wire Color
To: 10K Safety Edge	Black / White
To: Monitored Safety Input	Yellow / Yellow
To: Power	Red / Red

GEM-104	
Connection	Wire Color
To: 10K Safety Edge	Black / White
To: Monitored Safety Input	Green / Green
To: Power	Red / Red

Test System

- 1- Reapply power to the operator.
- 2- The red LED on the Gate Edge Module should be OFF if the safety edge is not active.
The green LED should be ON.
- 3- Open the gate slightly.
- 4- Apply pressure to the Safety Edge. The red LED on the Gate Edge Module should go ON.

*** If any steps fail, check all connections.**

Trouble Shooting Tips

LED Color	STATUS	DIAGNOSIS	CAUSE / SOLUTION
GREEN	ON	Power	Normal Operation
	OFF	No Power	Check the wire connection between the Operator and the Gate Edge Module.
RED	OFF	Edge is Not Active	Normal Operation
	ON	Edge is Active, Fault	Edge is hit
	BLINKING	Edge is Open, Fault	Check the wire connection between the Edge and the Gate Edge Module. Edge is faulty or not proper for this application