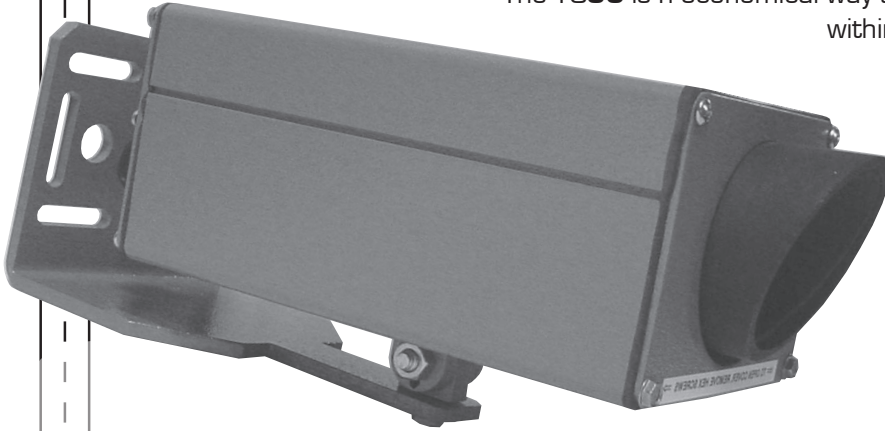


**DESCRIPTION**

The **TC30** is an economical way to detect the continuous presence of an object within its detection pattern, stationary or in motion.

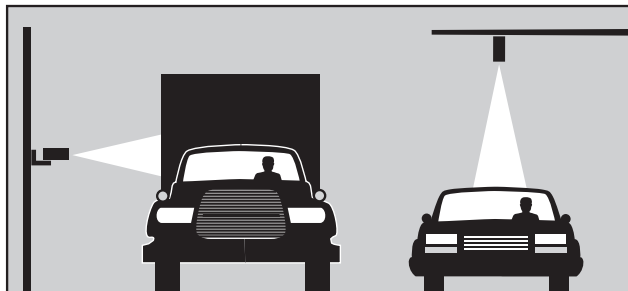
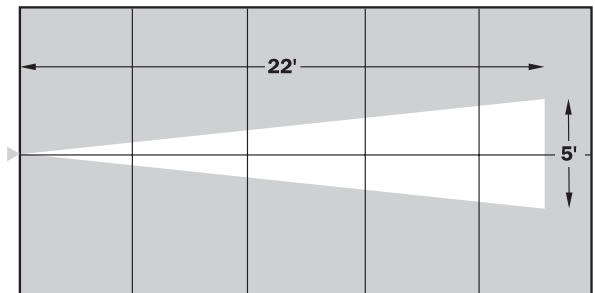


The **TC30** is ideal for detecting vehicle presence in a right-hand turn lane from a horizontal (side-fire) mount or in an individual lane from an overhead mount. It is also used in automatic gates and other parking control applications, as well as in loading dock applications.

The **TC30** is easily mounted above ground. It requires no pavement cuts and can be installed with minimal or no traffic disruptions. Once installed, adjustments can be made via an external range control and external detection LED.

**BENEFITS**

- ☑ Input to Vehicle Classifier and Controllers
- ☑ Automatic Gate and Toll Booth Applications
- ☑ Loading Dock Detection Applications
- ☑ Adjustable Range (up to 22')
- ☑ External Adjustment Panel
- ☑ External Indicator LEDs (eases drive test confirmation)
- ☑ Single Lane Coverage
- ☑ Installs Easily Above Ground
- ☑ Fail-Safe Mode (Recall) in Event of Power Loss

**MOUNTING DIAGRAM****COVERAGE PATTERN**

Range shown at maximum - not drawn to scale

**SENSOR SPECIFICATIONS****PHYSICAL:**

- ☑ Physical Dimensions: 9"L x 4"W x 4.25"H  
(23cm L x 10.2cm W x 10.8cm H)
- ☑ Enclosure: Gray Powder Coated Aluminum
- ☑ Weight: Approx. 3 lbs.
- ☑ Mounting Bracket: Predrilled & slotted (band or lag-bolt mount)

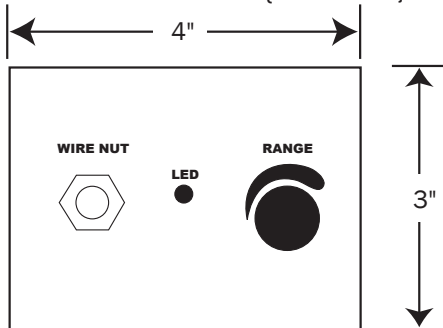
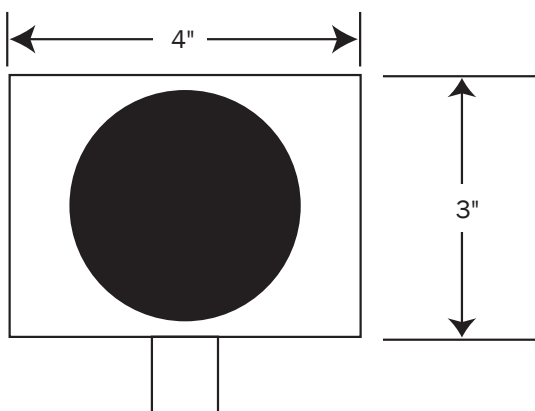
**INSTALLATION:**

There are two mounting positions:

- 1) OVERHEAD — The TC30 must be located directly over the area to be detected.
- 2) HORIZONTAL (SIDE-FIRE) — The TC30 must be located so it is directly perpendicular to the area to be detected.

**OPERATING:**

- ☑ Operating Frequency: 49.7 kHz
- ☑ Detection Method: Ultrasonic Ranging
- ☑ Detection Pattern: Adjustable
- ☑ Detection Mode: Presence
- ☑ Detection Hold Time: Continuous upon sensing
- ☑ Response Time: 0.165 seconds
- ☑ Initial Current Draw: 875mA Max.  
(21W Max. @ 24V)
- ☑ Operating Current Draw: 150mA (0.15 Amps)
- ☑ Power Consumption: 3.6 Watts max. @ 24V
- ☑ Relay Output: Form C, rated at 3 Amps
- ☑ Sampling Rate: 10 Hz. (1 pulse/100 msec.)
- ☑ Relay Hold Time: 0.25 to 10 Seconds
- ☑ Power Requirements: 6-24V DC or  
12-24V AC or DC
- ☑ Wiring Requirements: 4-Cond. (2 power,  
2 relay)
- ☑ Current Draw: 75mA max. @ 24V DC  
24V DC (N.O. and N.C.)
- ☑ Temperature range: -35°F to 165°F  
(-37°C to 75°C)

**REAR VIEW** (External Adjustment Panel)**FRONT VIEW****SIDE VIEW**