

**Models # MWT12, # MWTA12, # MWR12,  
#MWRT12, # MWRTA12,**

# Universal - Wireless **Transmitter/Receiver**

## **Applications**

- **Electric Sensing Edges**
- **Air-Wave Sensing Edges**
- **Pneumatic Sensing Edges**

The Miller Edge Model MWTA12 and MWT12 safety edge transmitters are designed to provide wireless signal transmission from the safety edge to the motor controls. They are easily mounted and wired to the gate or door edge sensor. When the sensing edge comes into contact with an obstruction, a closed circuit signal is created and is sent to the transmitter. The transmitter relays the information to the receiver and the receiver passes the signal along to the operator motor. The gate or door stops movement and will then reverse the direction of travel.

The Model MWTA12 is available with an Audible Alarm feature that activates when the battery is running low and needs to be replaced.

Both models of the transmitter come standard with a NEMA 4 weather-proof enclosure. The enclosure can be easily mounted with the four mounting holes and screws provided.

Both the Miller Edge receiver and transmitter have a compact design, which allows for easy trouble shooting via the see-thru case. Selectable features include: coded dip switches and a wire harness for relay options.

### **Model Numbers:**

- MWR12** - Single Channel Receiver
- MWT12** - Single Channel Transmitter
- MWTA12** - Single Channel Transmitter with Low Battery Alarm

### **Kits:**

- MWRT12** - includes MWR12 and MWT12
- MWRTA12** - includes MWR12 and MWTA12



*Model #MWR12  
Receiver*



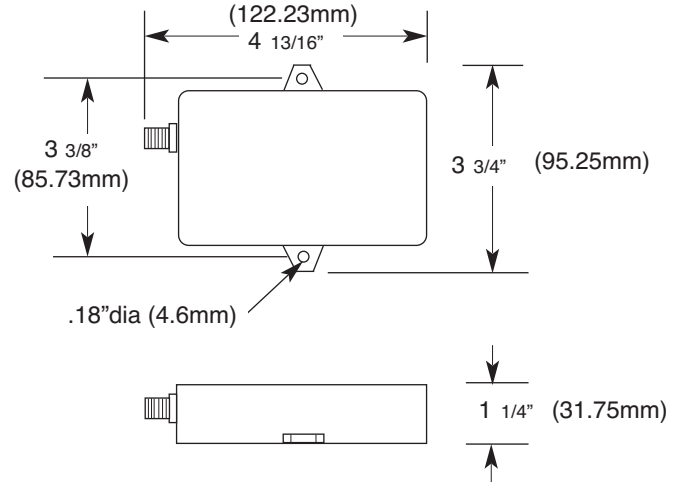
*MWTA12 Transmitter w/Alarm*

# General Specifications

## Model #MWR12 Receiver

(Intended for indoor use or inside a water resistant enclosure)

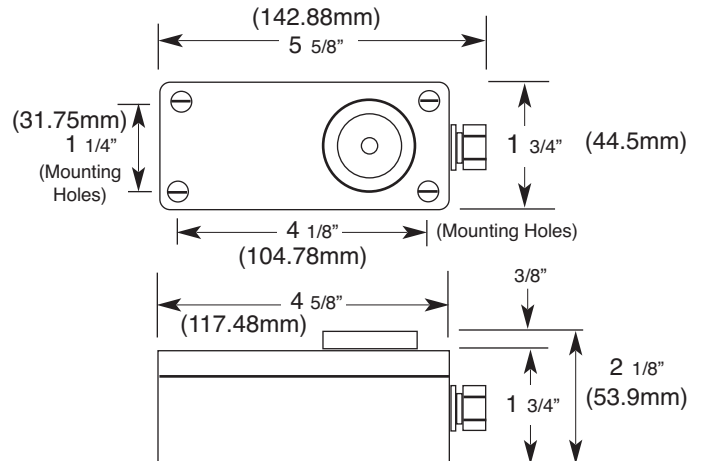
Enclosure Material: Polycarbonate  
 Enclosure Color: Smoke  
 Mounting: 2 side flanges - (See Diagram)  
 Operating Frequency: 318 MHz  
 Modulation: On Off Keying  
 Code: Tri-state, Fixed, 1 of 19683 codes  
 Power Requirements: 10 to 40 VDC, 10-30 VAC (RMS)  
 Power Consumption: 60 mA (avg.) with Relay Off  
 140 mA (avg.) with Relay On  
 Output: Dry Relay Contact, N/O & N/C 1A@60 VAC  
 Antenna: Attached, 18" #22AWG PVC insulated and  
 Female F connector (grounded shell)  
 Weight: 4.6 Ounces  
 Connections: Wire, #22AWG, Red = Power Input, Black = Power Ground  
 White = Relay Common, Orange = Relay Normal Closed  
 Yellow = Relay Normal Open  
 Indicators: Green LED = Power On, Red LED = Relay Active (address decoded)  
 Address Decode Switch: 9 position, tri-state, DIP  
 (19,683 programmable receiver codes)  
 Storage Temperature: -40°F to +140°F (-40°C to +60°C)  
 Operating Temperature: -4°F to +140°F (-20°C to +60°C)  
 Maximum Operating Distance: 100 Feet (Optimal Conditions)  
 Electrical Configuration: Optional N/O or N/C



Response Time: Initial Power-On to Idle: 45 msec.  
 System Response Time: Transmitter Input to Receiver  
 Relay Output: Nominal 60 msec.  
 (Good Receiver Signal Strength, No Interference)

## Model #MWTA12 Transmitter with Audible Alarm

Enclosure Material: Polycarbonate  
 Enclosure Color: Black  
 Enclosure Rating: NEMA 4 including cable fitting  
 Weight: 7.2 Ounces  
 Response Time: Nominal 30 msec.  
 Operating Temperature: -4°F to 140°F (-18°C to 60°C)  
 Operating Frequency: 318 Mhz.  
 Maximum Operating Distance: 100 Feet (Optimal Conditions)  
 Power: (2) 1.5 Volt AA Lithium Battery  
 Audible Alarm: Included for monitoring the life cycle  
 of the battery. Alarm is 80-95 dB at 2'  
 Transmitted Signal Duration: 4 to 5 seconds  
 Mounting: #6 self drilling screws included  
 Special Features: 19,683 programmable transmitter codes



## Model #MWT12 Transmitter without Audible Alarm

Enclosure Material: Polycarbonate  
 Enclosure Color: Black  
 Enclosure Rating: NEMA 4  
 Weight: 6.4 Ounces  
 Response Time: Nominal 30 msec.  
 Operating Temperature: 0°F to 130°F (-18°C to 55°C) (Alkaline Battery)  
 Operating Frequency: 318 Mhz.  
 Maximum Operating Distance: 100 Feet  
 Power: (2) 1.5 Volt AA Alkaline Batteries  
 Audible Alarm: Not available in this model  
 Transmitted Signal Duration: 4 to 5 seconds  
 Mounting: #6 self drilling screws included  
 Special Features: 19,683 programmable transmitter codes

